

BASCADRUMS

The best solution for every type of drum

The best solution for cleaning drums (plastic or metallic / open top or 2" Plug). Developed with a modular design, BascaDrums washing machine can be configured to meet your specific needs, and upgrade if your production grows or changes over time. BascaDrums can be configured to clean single or double drums with solvent, water, or both cleaning media through a high-pressure jet inside and outside the container.

BASCA

Cleaning equipment for tanks and containers



BENEFITS



3min. Average Cleaning Time



80% Less Waste Disposal



75% Workforce Reduction



Improved Safety and Quality



Cost Efficient



Modular Design



Plug & Play Technology



Compact Layout

TECHNICAL DATA



• WATER AND ECO-FRIENDLY FLUIDS

Single cabin (LxWxH): 1800x1200x2000mm
 Double cabin (LxWxH): 3000x1200x2000mm
 Electric Supply: 3x400V - 50Hz (different on request)
 Power: 5KW up to 25KW (based on configuration)
 Electrical insulation: IP55
 Air Supply: 7 Bar
 Cycle Process: programmable via Touch Screen
 Washing Pressure: 3 Bar up to 200 Bar
 Media max temp: 80°C
 Filtering System: N°2 Bag filters with s/steel case
 PLC controlled cycle with intuitive HMI
 Complying with 2006/42/EC requested safety devices



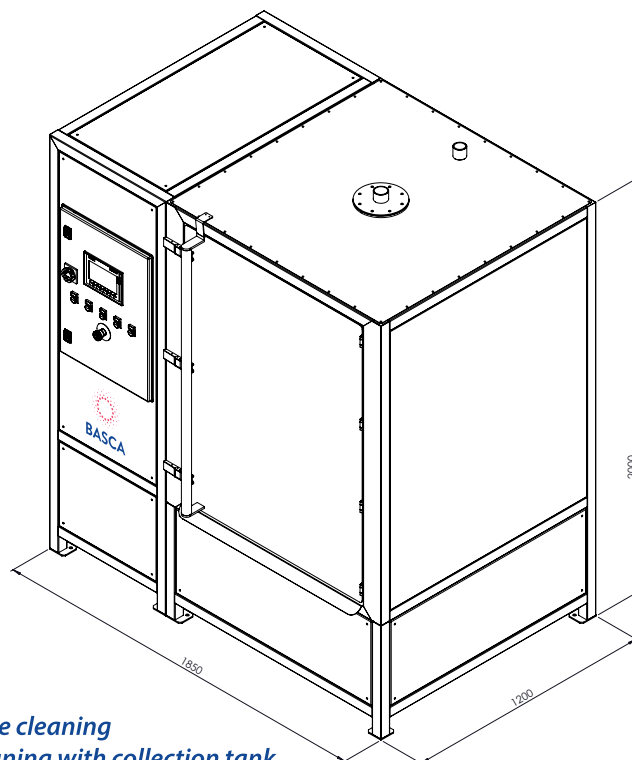
• SOLVENTS

Single cabin (LxWxH): 1800x1200x2000mm
 Double cabin (LxWxH): 3000x1200x2000mm
 Electric Supply: 3x400V - 50Hz (different on request)
 Power: 0.75KW up to 25KW (based on configuration)
 Electrical insulation: IP67
 Air Supply: 7 Bar
 Cycle Process: Programmable
 Washing Pressure: 5 Bar up to 40 Bar
 Media max temp: 70°C
 Filtering System: N°2 Bag filters with s/steel case
 PLC controlled cycle with intuitive HMI
 Complying with CE 2006/42/CE requested safety devices

CONTAINERS



LAYOUT



ACCESSORIES

- Pre-wash and final rinsing cycle
- Stocking tanks with level controls
- Heating system
- Sanitizing rinse
- High pressure cleaning
- External cleaning with collection tank
- Rotating brushes
- Full stainless-steel version

